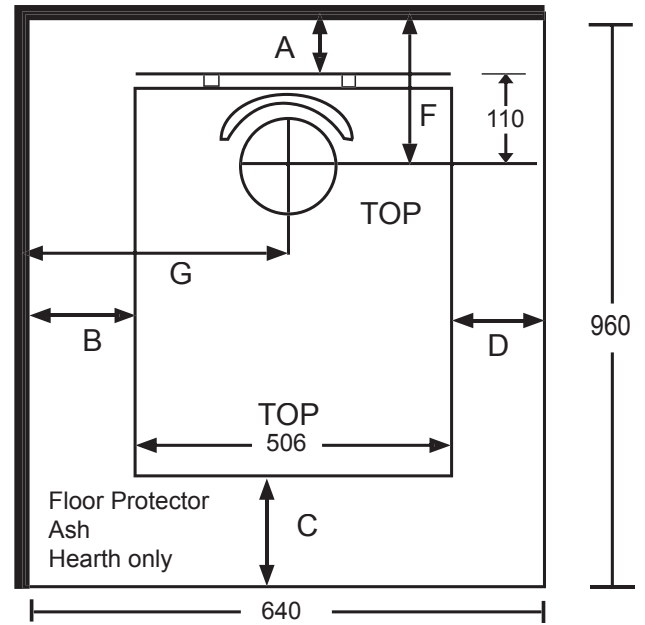
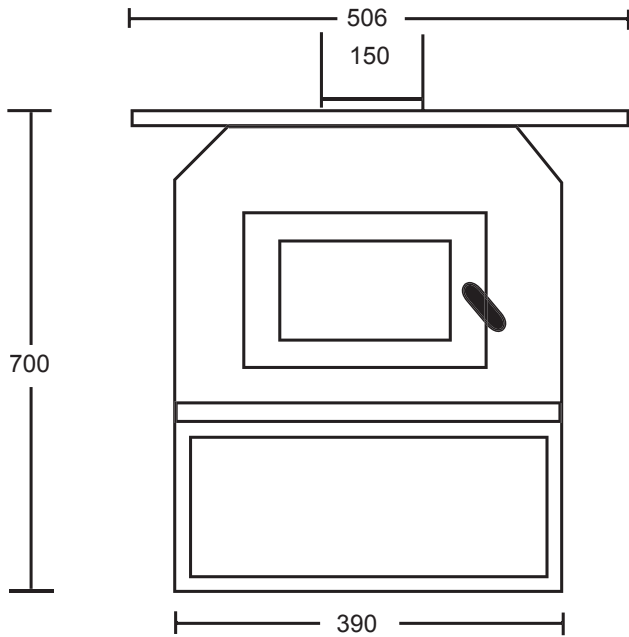


# THE COOKTOP WAGENER STOVE

## Installation Clearances

## AS/NZ Standard 2918:2001



Minimum clearance to Combustible Surfaces	A	B	C	D	E	F	G	H
With double stainless steel flue shield to unprotected wall	135mm	600mm	300mm	125mm	550mm	245mm	850mm	760mm
As above 12mm Eterpan LD board spaced 25mm off wall	40mm	175mm	Floor protection must extend under the stove and forward 300mm extending 200mm either side of the door opening		160mm	150mm	428mm	370mm
As above with sheet metal any type 0.5mm or thicker spaced 25mm off the wall.	40mm	180mm			165mm	151mm	433mm	375mm
Sheet metal as above 2 sheets spaced 12mmx12mm	27mm	120mm			110mm	137mm	373mm	320mm

Other screening materials are available and clearance factors can be calculated to the AS/NZS 2918:2001. Please ask your retailer or contact Wagener Stoves if you need further advice.

