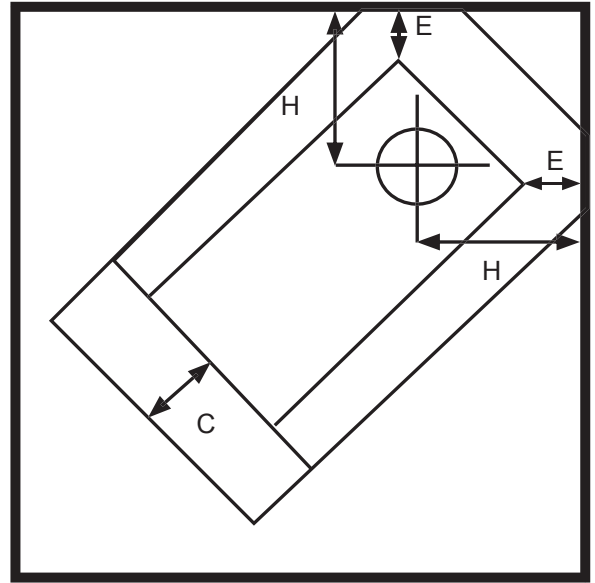
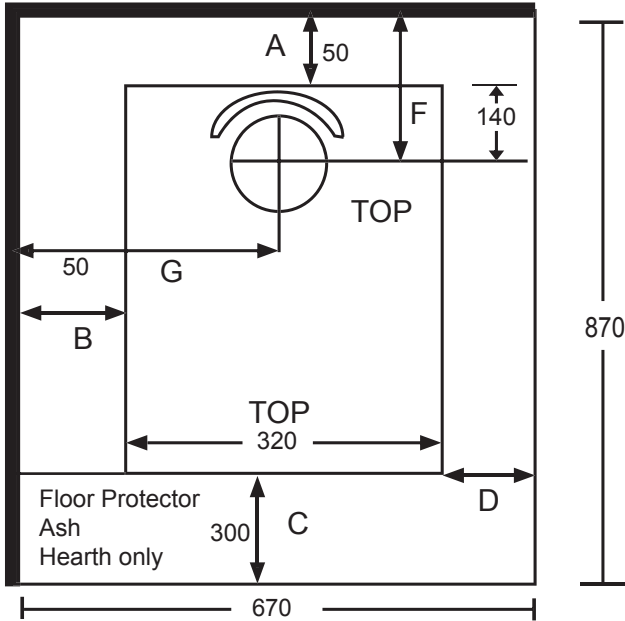


BUTLER MULTI WET 6KW

Fitted with a standard 6kw "Lion" Wet Back only

Wet Installation Clearances

AS/NZ Standard 2918:2001



Estimated Heat Output 8kw (depending on fuel used)

Estimated Hot Water Output 6kw

Minimum clearance to Combustible Surfaces	A	B	C	D	E	F	G	H
With double stainless steel Flue shield to unprotected wall	50mm	50mm *(25mm)	300mm	175mm	25mm	190mm	210mm *(185mm)	240mm
As above 12mm Eterpan LD board spaced 25mm off wall	37mm	37mm	Ash Hearth Floor Protection must extend under the stove and forward 300mm extending 200mm either side of the door opening		* 1. One side wall clearance can be reduced to 25mm by rotating the flue shield 45 deg 2. Bench height side wall only (not above top of heater) clearance 25mm.			
As above with sheet metal any type 0.5mm or thicker spaced 25mm off the wall.	25mm	25mm						

Other screening materials are available and clearance factors can be calculated to the AS/NZS 2918:2001. Please ask your retailer or contact Wagener Stoves if you need further advice.

