

W A G E N E R

Sparky



The cute wee fire with a big heart



www.wagenerstoves.co.nz

Wagener *Sparky*

Meet the new Wagener *Sparky*. We've designed him to fit a gap in the market for a good looking, compact wee fire.

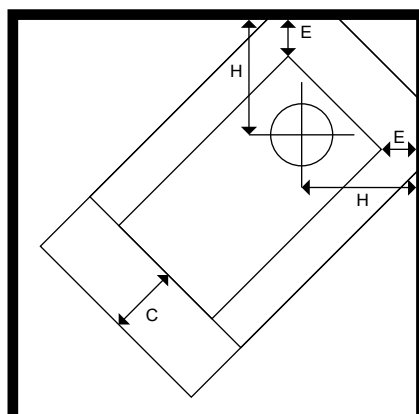
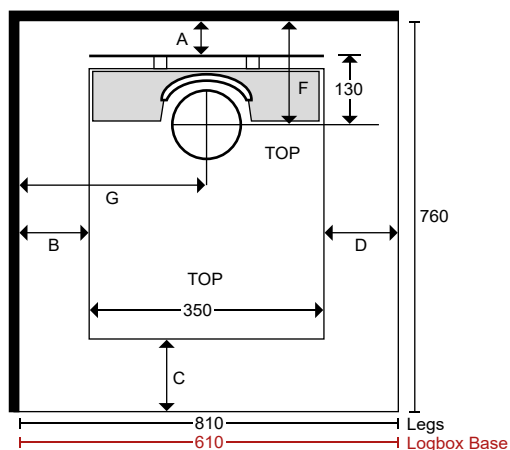
Sparky is a little bit of fun. He's a happy, chirpy little guy who would love to go on holiday with you. Fit him in your mobile home, camper or house boat and he will keep you cosy and warm. Let him boil your kettle for a cuppa and even heat your water for a nice hot shower. Pop him in your small home or holiday bach or tuck him up in front of your inefficient old open fire. *Sparky* will chuckle away and brighten your day.

Features include:

- Modern clean burning technology
- Solid 5mm steel construction
- Brick lined firebox
- Removable baffle for easy cleaning
- Optional "Lion" Wetback for hot water
- Top and rear flue outlet
- Cooking surface
- Multi fuel
- Ashpan and grate
- Hi temp paint finish in black
- Optional log box base

Installation Clearances

AS/NZ Standard 2918:2001



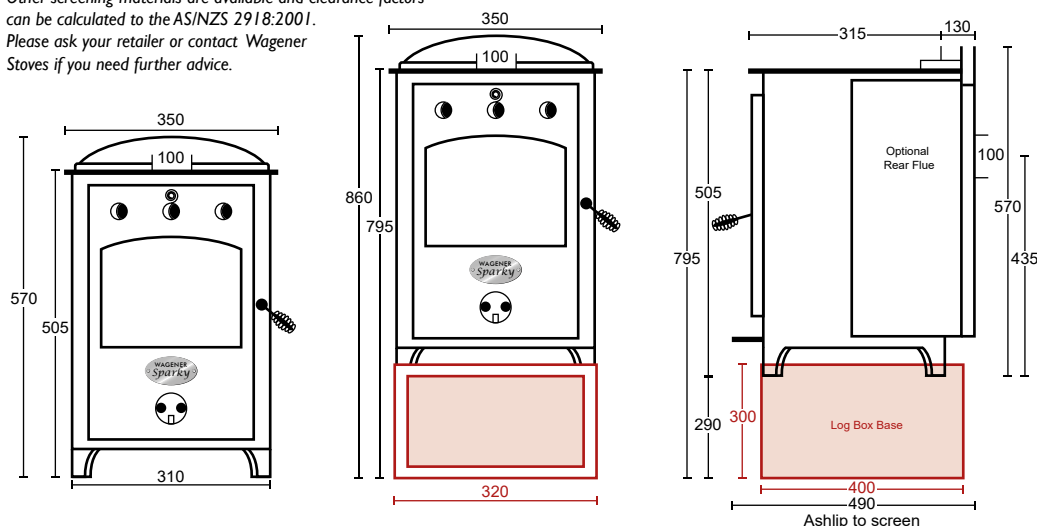
- Optional log box base requires ash hearth floor protector only
- Standard leg model requires insulated hearth floor protector (eg One sheet micore board with tiles glued and grouted to top surface)

Wetback Pipe Heights

- On legs 205mm & 285mm
- On base 495mm & 575mm

Minimum clearance to Combustible Surfaces	A	B	C	D	E	F	G	H
With stainless steel flue shield to unprotected wall	50	550	300	150* 200*	250	180	725	450
As above 12mm Eterpan LD board spaced 25mm off wall	37	160	Floor protection must extend under the stove and forward 300mm. *Leg model 200mm to sides. Log base model 150mm to sides.		73	167	335	273
As above with sheet metal any type 0.5mm or thicker spaced 25mm off the wall.	26	165			75	156	340	275
Sheet metal as above 2 sheets spaced 12mmx12mm	26	110			50	156	285	250

Other screening materials are available and clearance factors can be calculated to the AS/NZS 2918:2001. Please ask your retailer or contact Wagener Stoves if you need further advice.



Heat Output

Sparky generates a cosy 7kw (estimated) heat output.

A "Lion" wet back can be fitted to heat your hot water (1.2kw).

Enduring Quality & Design

Sparky is New Zealand designed and handcrafted by Wagener Stoves using only the best quality materials with a special Hi Temperature paint finish.

Warranty

Sparkys firebox is covered by a 5 year warranty (Please refer to Installation & Operating Instructions for full details).

Buy with Confidence

Wagener Stoves have over 35 years experience in the heating industry and have been members of the NZ Home Heating Association for over 25 years.

Other Products Manufactured by Wagener Stoves

Wagener Stoves also design and manufacture "Lion" Wetbacks, the CookTop Wagener Stove, Butler Multi High Performance Hot Water Heaters and Traditional Style Slow Combustion Wagener Fairburn Cookers.



WAGENER STOVES "LION" LTD

5 Allen Bell Drive, Kaitaia 0410
New Zealand
Ph/Fax: 09 408 2469

www.wagenerstoves.co.nz

At Wagener Stoves we are continually improving our products and therefore specifications and designs may change without prior notice

2015

