

*Meet Sparky's big brother...*

W A G E N E R

*Leon*



*Built to work hard and stand the test of time*



[www.wagenerstoves.co.nz](http://www.wagenerstoves.co.nz)

# Wagener *Leon*

The Wagener Leon is Sparky's big brother and has evolved because we were asked for a larger version of this extremely popular wee fire.

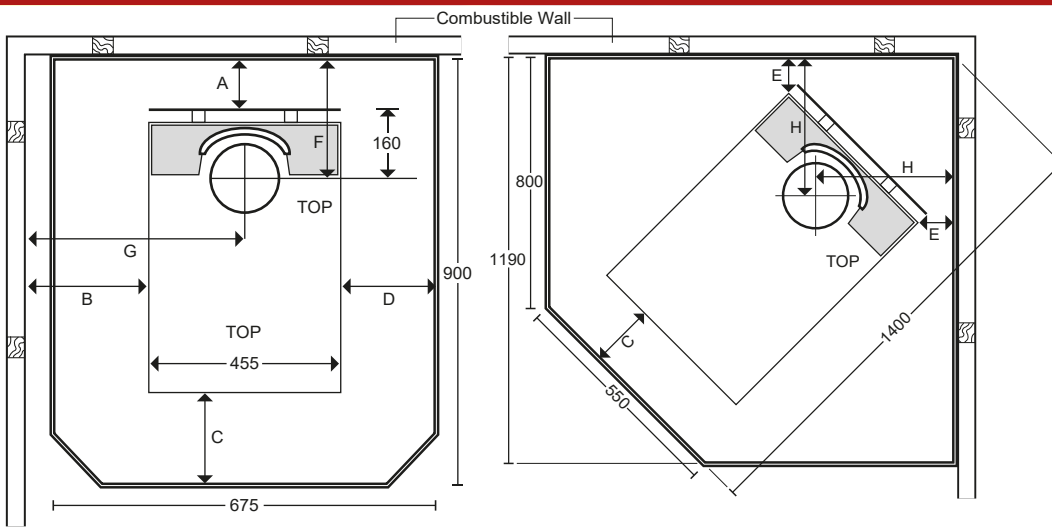
Leon has many of the features of Sparky but with an increased heat output of 16-18kw, an optional 3kw wet back delivering hot water and a fixed log box base for wood storage. The name Leon is in recognition of Leon Kernot who started the family business and designed the first ever original Wagener Stove. Leon the man was hardworking, entrepreneurial and very popular and that is our expectation for Leon the stove. Leon is designed and handcrafted by the Wagener team and has been built to work hard and stand the test of time.

Leon will keep you warm and cosy on the outside and will boil the kettle or cook a pot of soup or stew to warm your insides too. When fitted with an optional "Lion" wetback plenty of power saving hot water is also on hand. Leon can also be fitted with optional top rails for added safety while cooking.

## Features Include:

- Modern Clean Burning Technology
- Cooking Surface
- Multi Fuel Burning
- Optional Top Rails
- Brick Lined Firebox
- Ashpan & Grate
- Solid 5mm Steel Construction
- Removable Baffle
- Log Base Wood Storage
- Optional "Lion" Wetback
- Hi Temp Paint Finish in Black
- Ash Hearth Floor Protector

## Installation Clearances as tested to AS/NZ Standard 2918:2001

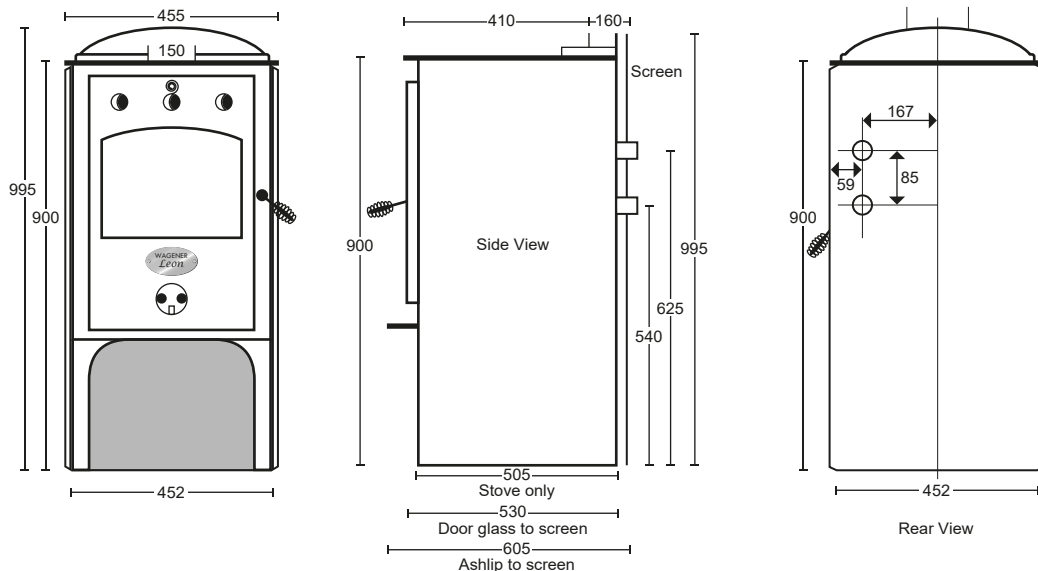


Requires Ash Hearth Floor Protector Only

Wetback pipe height: 540mm & 625mm

Minimum clearance to Combustible Surfaces	A	B	C	D	E	F	G	H
With a capped single stainless steel flue shield to unprotected wall	90	410	300	110	210	250	638	455
As above 12mm Eterpan LD board spaced 25mm off wall	37	119	Floor protection must extend under the stove and forward 300mm extending either side of the door opening		61	187	347	311
As above with sheet metal any type 0.5mm or thicker spaced 25mm off the wall.	27	123		63	187	351	313	
Sheet metal as above 2 sheets spaced 12mmx12mm	25	82		42	178	310	292	

Other screening materials are available and clearance factors can be calculated to the AS/NZS 2918:2001. Please ask your retailer or contact Wagener Stoves if you need further advice.



## Heat Output

The Wagener *Leon* generates a comfortable 16-18 kw (estimated) heat output. A 3kw "Lion" wet back can be fitted to heat your hot water.

## Enduring Quality & Design

*Leon* is New Zealand designed and handcrafted by Wagener Stoves using only the best quality materials with a special Hi Temperature paint finish in metallic black.

## Warranty

*Leon's* firebox is covered by a 5 year warranty (Please refer to Installation & Operating Instructions for full details).

## Buy with Confidence

Wagener Stoves have over 35 years experience in the heating industry and have been members of the NZ Home Heating Association for over 25 years.

## Other Products Manufactured by Wagener Stoves

Wagener Stoves also design and manufacture "Lion" Wetbacks, the CookTop Wagener Stove, Butler Multi High Performance Hot Water Heaters, Traditional Style Slow Combustion Wagener Fairburn Cookers and Wagener Sparky.



WAGENER STOVES "LION" LTD

5 Allen Bell Drive, Kaitaia 0410  
New Zealand  
Ph/Fax: 09 408 2469

[www.wagenerstoves.co.nz](http://www.wagenerstoves.co.nz)

At Wagener Stoves we are continually improving our products and therefore specifications and designs may change without prior notice

2016

