

Cookers of Distinction

Handcrafted in New Zealand

Cooking • Baking • Heating • Hot Water



Before



After



Wagener Fairburn

Treat yourself to delicious Home Cooking, generous supplies of Hot Water and Winter Warmth with a Slow Combustion Solid Fuel Cooker by Wagener

The Wagener Fairburn gives you a quality, New Zealand handcrafted woodrange at a very affordable price along with the bonus of self sufficiency through winter power cuts plus huge savings on your power bills



www.wagenerstoves.co.nz

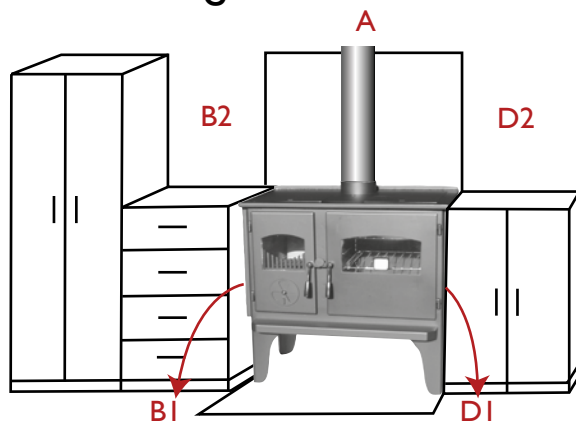


Wagener Fairburn

Traditional Style Slow Combustion Woodrange

Features include:

- Solid Steel Construction
- Attractive Traditional Design
- Deep Brick Lined Firebox
- Glass in Firebox Door
- Large CookTop Surface
- Full Size Oven
- Oven Temperature Indicator
- Available on Legs, Drawer Base or as Inbuilt
- Hi Temp Paint Finish
- Simple Controls
- Efficient Long Burn
- Multi Fuel Capable
- Low Maintenance
- Optional "Lion" Wetback for Hot Water (3 sizes)
- Optional Splashback with Optional Plate Rack
- Optional Hotplate Covers



AS/NZ Standard 2918:2001

Installation Clearances

The following are minimum clearances to Combustible Surfaces	B1 Below cooking surface	B2 Above cooking surface	A Rear Wall		D1 Below cooking surface	D2 Above cooking surface
Unprotected walls without upstand	160mm	425mm	425mm		25mm	75mm
Unprotected walls with upstand	160mm	425mm	100mm		25mm	75mm
Screening sheet metal of any type 0.5mm or thicker spaced 25mm from wall	48mm	128mm	With upstand 30mm	No upstand 128mm	25mm	30mm
Screening 12mm Eterpan LD Board spaced 25mm from wall	47mm	124mm	29mm	124mm	N/A	N/A

Other screening materials are available and clearance factors can be calculated to AS/NZS 2918:2001.

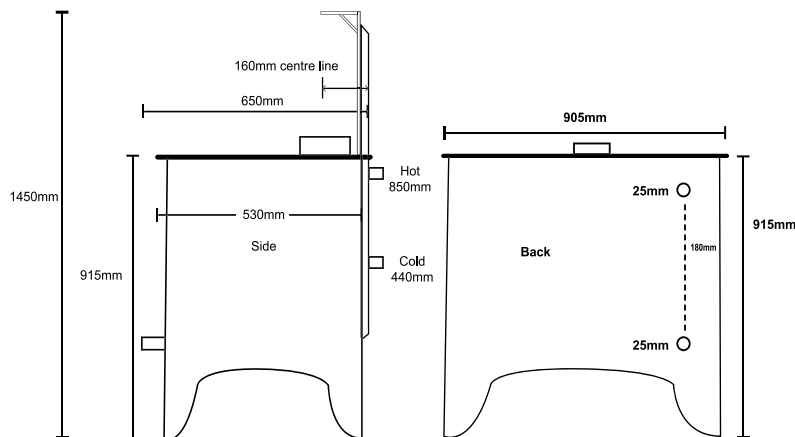
Please ask your retailer or contact Wagener Stoves if you need further advice.

NB The Wagener Fairburn will fit into most existing brick alcoves which have previously accommodated an older style wood or coal range. (ie brick with 25mm air space behind) Leg height can be modified to suit if required.

Floor Protector (Ash Hearth): Shall extend under appliance and forward of the fire box opening 300mm, and extend 200mm to the side of the firebox opening (ie 120mm from side of end panel). Suggested size 1200mm wide x 1000mm deep.

Wagener Fairburn Dimensions

Flue Size		150mm	
Oven Internal Dimensions	Width	410mm	
	Height	360mm	
	Depth	430mm	
Oven Wire Racks	4 heights		
Firebox Internal Dimensions	Width	250mm	
	Height	280mm	
	Depth	360mm	
Wetback (Rear outlet)	Single	Double	
	Estimate on Hardwood Estimate on Softwood	2kw 2.5kw	3.5kw 4.5kw
Boiler*		5.5kw 7kw	
Estimated Heat Output	16kw	* Special requirements	
Estimated Weight	300kg		



At Wagener Stoves we are continually improving our products therefore specifications and designs may change without prior notice.



2014

Manufactured by

WAGENER STOVES "LION" LTD

5 Allen Bell Drive, Kaitaia, 0410, New Zealand

Ph/Fax: 09 408 2469

www.wagenerstoves.co.nz

Your local dealer: