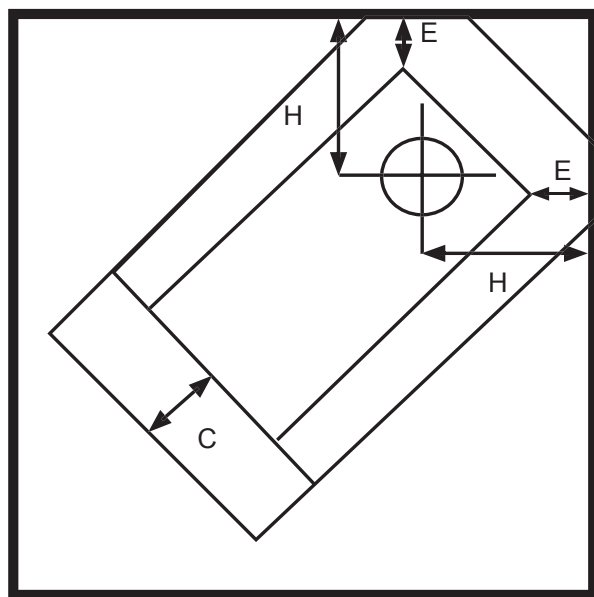
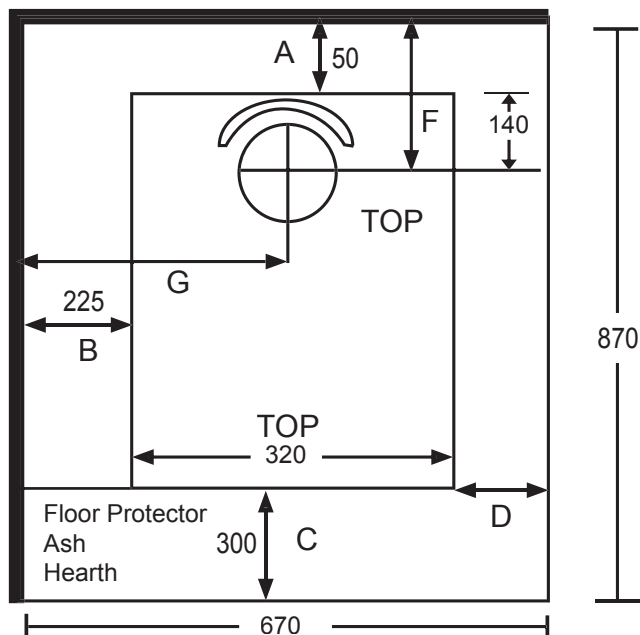


# THE BUTLER MULTI DRY/2KW

Not fitted with a Wet Back - Dry  
Fitted with a special 2kw "Lion" Wet Back

Dry Installation Clearances

AS/NZ Standard 2918:2001



## Estimated Heat Output 14 kw

Minimum clearance to Combustible Surfaces	A	B	C	D	E	F	G	H
With double stainless steel Flue shield to unprotected wall	50mm	225mm	300mm	175mm	25mm	190mm	385mm	235mm
As above 12mm Eterpan LD board spaced 25mm off wall	37mm	66mm	Ash Hearth/Floor Protection must extend under the stove and forward 300mm extending 200mm either side of the door opening					
As above with sheet metal any type 0.5mm or thicker spaced 25mm off the wall.	25mm	68mm						

Other screening materials are available and clearance factors can be calculated to the AS/NZS 2918:2001. Please ask your retailer or contact Wagener Stoves if you need further advice.

